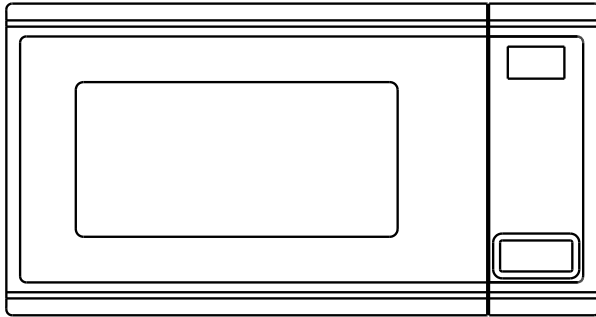




Microwave Oven Instructions



Model: AM090HBIPA / AM090HWIPA

Please read these instructions carefully before installing and operating the oven.

CONTENT

SPECIFICATIONS	1
PRECAUTIONS TO AVOID POSSIBLE EXPOSURE TO EXCESSIVE MICROWAVE ENERGY	2
IMPORTANT SAFETY INSTRUCTIONS	2
GROUNDING INSTRUCTIONS	5
INSTALLATION GUIDE	6
COOKING UTENSILS GUIDE	6
PART NAMES	7
CONTROL PANEL	8
OPERATION INSTRUCTIONS	9
SETTING THE CLOCK	9
SETTING THE TIMER	9
EXPRESS COOKING.....	10
MICROWAVE COOKING	10
SPEED DEFROST	10
DEFROST BY WEIGHT	10
COOK BY WEIGHT	11
MULTI-STAGE STAGE COOKING.....	11
CHILD LOCK	12
AUTO COOK MENUS	12
POTATO	12
POPCORN.....	12
PIZZA	13
BEVERAGE.....	13
FROZEN DINNER	13
REHEAT	13
CLEANING AND CARE	14

SPECIFICATIONS

Power Consumption	120V/60Hz, 1350W(microwave)
Output	900W
Operation Frequency	2450MHz
Outside Dimensions (H x W x D)	11 ¹ / ₁₆ × 19 × 13 ¹³ / ₁₆ in.
Oven Capacity	0.9cu.ft.
Net Weight	Approx. 26.4lbs

PRECAUTIONS TO AVOID POSSIBLE EXPOSURE TO EXCESSIVE MICROWAVE ENERGY

1. Do not attempt to operate this oven with the door open since open-door operation can result in harmful exposure to microwave energy. It is important not to defeat or tamper with the safety interlocks.
2. Do not place any object between the oven front face and the door or allow soil or cleaner residue to accumulate on sealing surfaces.
3. Do not operate the oven if it is damaged. It is very important that the oven door close properly and that there is no damage to the
 - a) Door (including any bent),
 - b) Hinges and latches (broken or loosened),
 - c) Door seals and sealing surfaces.
4. The oven should not be adjusted or repaired by anyone except qualified service personnel.

IMPORTANT SAFETY INSTRUCTIONS

WARNING!--To reduce the risk of burns, electric shock, fire, injury to persons or exposure to excessive microwave energy:

1. Read all instructions before using the appliance.
2. Read and follow the specific "PRECAUTIONS TO AVOID POSSIBLE EXPOSURE TO EXCESSIVE MICROWAVE ENERGY" on page 2.
3. This appliance must be grounded. Connect only to properly grounded outlet. See "GROUNDING INSTRUCTIONS" on page 5.
4. Install or locate this appliance only in accordance with the provided installation instructions.
5. Do not operate the oven when empty.
6. Some products such as whole eggs and sealed containers -for example, closed glass jars- are able to explode and should not be heated in this oven.
7. Use this appliance only for its intended use as described in this manual. Do not use corrosive chemicals or vapors in this appliance. This type of oven is specifically designed to heat, cook, or dry food. It is not designed

- for industrial or laboratory use.
8. As with any appliance, close supervision is necessary when used by children.
 9. To reduce the risk of fire in the oven cavity:
 - a) Do not overcook food. Carefully attend appliance when paper, plastic, or other combustible materials are placed inside the oven to facilitate cooking.
 - b) Remove wire twist-ties from paper or plastic bags before placing bag in oven.
 - c) If materials inside the oven should ignite, keep oven door closed, turn oven off, and disconnect the power cord or shut off power at the fuse or circuit breaker panel.
 - d) Do not use the cavity for storage purposes. Do not leave paper products, cooking utensils or food in the cavity when not in use.
 10. Liquids, such as water, coffee, or tea are able to be overheated beyond the boiling point without appearing to be boiling due to surface tension of the liquid. Visible bubbling or boiling when the container is removed from the microwave oven is not always present. **THIS COULD RESULT IN VERY HOT LIQUIDS SUDDENLY BOILING OVER WHEN A SPOON OR OTHER UTENSIL IS INSERTED INTO THE LIQUID.** To reduce the risk of injury to person:
 - a) Do not overheat the liquid.
 - b) Stir the liquid both before and halfway through heating it.
 - c) Do not use straight-sided containers with narrow necks.
 - d) After heating, allow the container to stand in the microwave oven for a short time before removing the container.
 - e) Use extreme care when inserting a spoon or other utensil into the container.
 11. Do not heat oil or fat for deep-frying. It is difficult to control the temperature of oil in microwave oven.
 12. Do not cover or block any openings on the appliance.
 13. Do not store or use this appliance outdoors. Do not use this product near water, for example, near a kitchen sink, in a wet basement, near a swimming pool, or similar locations.
 14. Do not operate this appliance if it has a damaged cord or a plug, if it is not working properly or if it has been damaged or dropped.
 15. Do not immerse cord or plug in water. Keep cord away from heated surface. Do not let cord hang over edge of table or counter.

16. This appliance should be serviced only by qualified service personnel, contact nearest authorized service facility for examination, repair, or adjustment.
17. When cleaning surfaces of door and oven that comes together on closing the door, use only mild, nonabrasive soaps, or detergents applied with a sponge or soft cloth.
18. This equipment has been tested and found to comply with Part 18 of the FCC Rules. Operation is subject to the following two conditions: (1) This device may not cause harmful interference, and (2) this device must accept any interference received, including interference that may cause undesired operation.

CAUTION: Changes or modifications not expressly approved by the party responsible for compliance could void the user's authority to operate the product.

19. This equipment generates, uses and can radiate radio frequency energy and, if not installed and used in accordance with the instructions, may cause harmful interference to radio communications. However, there is no guarantee that interference will not occur in a particular installation. If this equipment does cause harmful interference to radio or television reception, which can be determined by turning the equipment off and on, the user is encouraged to try to correct the interference by one or more of the following measures:
 - Reorient or relocate the receiving antenna.
 - Increase the separation between the equipment and receiver.
 - Connect the equipment into an outlet on a circuit different from that to which the receiver is connected.
 - Consult the dealer or an experienced radio/TV technician for help.

SAVE THESE INSTRUCTIONS

GROUNDING INSTRUCTIONS

This appliance must be grounded. In the event of an electrical short circuit, grounding reduces risk of electric shock by providing an escape wire for the electric current. This appliance is equipped with a cord having a grounding wire with a grounding plug. The plug must be plugged into an outlet that is properly installed and grounded.

WARNING!-- Improper use of the grounding plug can result in a risk of electric shock.

Consult a qualified electrician or serviceman if the grounding instructions are not completely understood, or if doubt exists as to whether the appliance is properly grounded, and if it is necessary to use an extension cord, use only a 3-wire extension cord that has a 3-blade grounding plug and a 3-slot receptacle that will accept the plug on the appliance. The marked rating of the extension cord shall be equal to or greater than the electrical rating of the appliance.

Electrical Requirements

The electrical requirements are a 120 volt 60 Hz, AC only, 20 amp. It is recommended that a separate circuit serving only the oven be provided. The oven is equipped with a 3-prong grounding plug. It must be plugged into a wall outlet properly installed and grounded.

Power Cord

1. A short power supply cord is provided to reduce the risks resulting from becoming entangled in or tripping over a longer cord.
2. Longer cord sets or extension cords are available and may be used if care is exercised in their use.
3. If long cord or extension cord is used:
 - a) The marked electrical rating of the cord set or extension cord should be at least as great as the electrical rating of the appliance.
 - b) The extension cord must be a grounding-type 3-wire cord, and The longer cord should be arranged so that it will not drape over the counter top or table top where it can be pulled on by children or tripped over unintentionally.

INSTALLATION GUIDE

1. Make sure that all the packing materials are removed from the inside of the door.
2. This microwave oven must be placed on a flat.
3. For correct operation, the oven must have sufficient air flow. Allow 20cm of space above the oven, 10cm at back and 5cm at both sides. Do not cover or block any openings on the appliance. Do not remove feet on which oven stands.
4. Do not operate the oven without glass tray, roller support, and shaft in their proper positions.
5. Make sure that the power cord is undamaged and does not run under the oven or over any hot or sharp surface.
6. The socket must be readily accessible so the microwave oven can be easily unplugged in an emergency.

COOKING UTENSILS GUIDE

This section lists which utensils can be used in this microwave, which have limited use for short periods, and which should not be used in this microwave.

RECOMMENDED

Microwave browning dish — Use to brown the exterior of small items such as steaks, chops, or pancakes. Follow the directions provided with your browning dish.

Microwaveable plastic wrap — Use to retain steam. Leave a small opening for some steam to escape and avoid placing it directly on the food.

Paper towels and napkins — Use for short-term heating and covering; these absorb excess moisture and prevent spattering. Do not use recycled paper towels, which may contain metal and could ignite.

Glass and glass-ceramic bowls and dishes — Use for heating or cooking.

Paper plates and cups — Use for short-term heating at low temperatures. Do not use recycled paper, which may contain metal and could ignite.

Wax paper — Use as a cover to prevent spattering.

Thermometers — Use only those labeled "Microwave Safe" and follow all directions. Check the food in several places. Conventional thermometers may be used on microwave food once the food has been removed from the oven.

LIMITED USE

Aluminum foil — Use narrow strips of foil to prevent overcooking of exposed areas. Using too much foil can damage your oven, so be careful. You should keep distance of

1 inch (2.54cm) between aluminum foil and cavity.

Ceramic, porcelain, and stoneware— Use these if they are labeled "Microwave Safe". If they are not labeled, test them to make sure they can be used safely.

Plastic — Use only if labeled "Microwave Safe". Other plastics can melt.

NOT RECOMMENDED

Glass jars and bottles — Regular glass is too thin to be used in a microwave. It can shatter and cause damage and injury.

Paper bags — These are a fire hazard, except for popcorn bags that are designed for microwave use.

Styrofoam plates and cups — These can melt and leave an unhealthy residue on food.

Plastic storage and food containers — Containers such as margarine tubs can melt in the microwave.

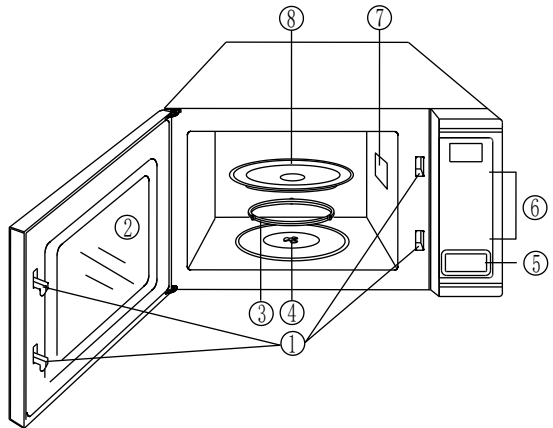
Metal utensils — These can damage your oven. Remove all metal before cooking.

Note:

Should you wish to check if a dish is safe for microwaving, place the empty dish in the oven and microwave on HIGH for 30 seconds. A dish which becomes very hot should not be used.

PART NAMES

1. Door Safety Lock System
2. Oven Window
3. Roller Ring
4. Shaft
5. Door Release Button
6. Control Panel
7. Wave Guide
8. Glass Tray
(Please do not remove the mica plate covering the wave guide)



CONTROL PANEL



● DISPLAY

Time, power and indicators are displayed.

● AUTO COOK MENUS

Instant settings to cook popular foods.

● NUMBER BUTTONS (0-9)

Press to set time, power level or food weight.

● CLOCK

Press to set clock time.

● RESET/STOP

Press once to temporarily stop cooking, or twice to cancel cooking altogether.

It is also used to set child lock.

● POWER

Press to set microwave cooking power level.

● TIMER

Press to set timer function.

● COOK

Use to set multistage cooking program.

● COOK BY WEIGHT

Press to cooking food based on weight.

● DEFROST BY WEIGHT

Press to defrost food based on weight.

● SPEED DEFROST

Press to defrost food based on time.

● START/+30 SEC.

Press to start cooking programs.

Press to set express cooking program.

OPERATION INSTRUCTIONS

- When the oven is plugged in, a beep will sound, the display will show "1:01" and "CLOCK".
- In the process of setting, broken about 25 seconds the oven will return to standby mode.
- During cooking, if press RESET/STOP button once, the program will be paused, and then press RESET/STOP button again, the program will be cancelled.
- After cooking ends, the display will show End and beep will sound every two minutes until user press any button or open the door.
- In the process of operation, press a valid button, the buzzer rings once, but if press a invalid button, the buzzer rings twice.
- After power on, the power socket is powered on. If the microwave oven is in the running state, the power socket is not powered. If the microwave oven is paused or end after working for less than or equal to 3 minutes. From the moment of starting, the power socket will start to be powered up after 3 minutes. If the microwave works for more than 3 minutes and then pauses or ends, the power socket starts to power up immediately.

SETTING THE CLOCK

This is a 12- or 24- hour clock. You can choose to set the clock time in 12- or 24- hour by pressing CLOCK pad in standby mode.

1. In standby mode, press CLOCK button once or twice to choose 12- hour or 24-hour clock.
2. Use the number buttons to set the correct time.
3. Press CLOCK button to confirm.

NOTE: During cooking, you can check the current clock time by pressing CLOCK button.

SETTING THE TIMER

1. In standby mode or during cooking, press TIMER button once.
2. Use number buttons to set desired time. The longest time is 99 minutes and 99 seconds.
3. Press START/+30 SEC. button to confirm.

NOTE: When the countdown ends, the buzzer will beep to remind you. You can check the countdown time by pressing TIMER button, if press RESET/STOP button when the display shows the time, the function can be cancelled.

EXPRESS COOKING

Use this feature to program the oven to microwave food at 100% power conveniently. In standby mode, press START/+30 SEC. button repeatedly to set cooking time (each press to increase 30 seconds, and up to 10 minutes). The oven will start working automatically. During cooking, you can add the cooking time by pressing START/+30 SEC. button.

MICROWAVE COOKING

1. In standby mode, press POWER button repeatedly to set power level.
2. Use number buttons to set cooking time. The longest time is 99 minutes and 99 seconds.
3. Press START/+30 SEC. button to confirm.

Press POWER button to set power level:

Press POWER	Power (Display)	Press POWER	Power (Display)
Once	100% (P100)	7 times	40% (P-40)
Twice	90% (P-90)	8 times	30% (P-30)
3 times	80% (P-80)	9 times	20% (P-20)
4 times	70% (P-70)	10 times	10% (P-10)
5 times	60% (P-60)	11 times	0% (P-00)
6 times	50% (P-50)		

NOTE: During cooking, the current power level can be seen by pressing POWER button.

SPEED DEFROST

1. Press SPEED DEFROST button once.
2. Use number buttons to set defrosting time. The longest time is 99 minutes and 99 seconds.
3. Press START/+30 SEC. button to confirm.

NOTE: During defrosting, the system will pause and sound to remind user to turn food over, and then press START/+30 SEC. button to resume.

DEFROST BY WEIGHT

The time and the defrosting power are adjusted automatically once the weight is programmed. The maximum frozen food weight is 5 LB. 16 oz.

1. Press DEFROST BY WEIGHT button once.
2. Use number buttons to set food weight.
3. Press START/+30 SEC. button to confirm.

NOTE:

- During defrosting, the system will pause to remind user to turn food over, and then press START/+30 SEC. button to resume.
- Weight must be in pounds and ounces. If label gives weight in pounds only, change the fraction of a pound to ounces using the following chart.

Converting fractions of a pound to ounces:

Fractions of a pound	Ounces
Less than .03	0
.03 to .09	1
.10 to .15	2
.16 to .21	3
.22 to .27	4
.28 to .34	5
.35 to .40	6
.41 to .46	7

Fractions of a pound	Ounces
.54 to .59	9
.60 to .65	10
.66 to .71	11
.72 to .78	12
.79 to .84	13
.85 to .90	14
.91 to .97	15
above .97	go to next even

COOK BY WEIGHT

1. Press COOK BY WEIGHT button once.
2. Use number button (1~3) to set food code.
3. Use number buttons to set food weight.
4. Press START/+30 SEC. button to confirm.

Cook by weight code description:

Code	Type	Maximum Weight
1	Beef	5 LB. 16 oz.
2	Mutton	5 LB. 16 oz.
3	Pork	4 LB. 8 oz.

NOTE:

- Weight must be in pounds and ounces. If label gives weight in pounds only, change the fraction of a pound to ounces using the chart given above.
- During cooking, the system will pause and sound to remind user to turn food over, after that press START/+30 SEC. button to resume.

MULTI-STAGE STAGE COOKING

Your oven can be programmed up to 3 automatic cooking sequences. It can be composed of speed defrost with one or two microwave cooking program, or composed of two microwave cooking program.

A. Speed defrost with one or two-stage microwave cooking:

1. Open the door and place the food into the oven, close it.
2. Press SPEED DEFROST button once.

3. Use number buttons to set defrosting time.
4. Press COOK button once.
5. Input the first microwave cooking program. Do not press START/+30 SEC. button.
6. Press COOK button once.
7. Input the second microwave cooking program.
8. Press START/+30 SEC. button to start

NOTE: Step 6 and 7 are not necessary if you just need one microwave cooking program. Speed defrost can only be set in the first stage.

B. Two-stage microwave cooking:

Some recipes require different stages of cooking at different temperatures.

1. Input the first microwave cooking program. Do not press START/+30 SEC. button.
2. Press COOK button once.
3. Input the second microwave cooking program.
4. Press START/+30 SEC. button to start.

CHILD LOCK

The lock prevents unsupervised operation by children.

To set: In standby mode, press and hold RESET/STOP button for 3 seconds, a beep will sound and the lock indicator light will turn on, the oven will auto enter child lock mode. In the lock state, all buttons are disabled.

To cancel: Press and hold RESET/STOP button for 3 seconds, a beep will sound and the lock indicator light will disappear.

AUTO COOK MENUS

The auto cook menus allow you to cook or reheat food automatically without entering power level or time. For small portions, simply press the applicable button and start. For large portions, push the button twice.

POTATO

For potatoes (4 to 6 oz/serving):

1. Press POTATO button once.
2. Enter number of potatoes by pressing number buttons from 1 to 4.
3. Press START/+30 SEC. to confirm.

For potatoes (8 to 10 oz/serving):

1. Press POTATO button twice.
2. Enter number of potatoes by

pressing number buttons from 1 to 4.

3. Press START/+30 SEC. to confirm.

POPCORN

1. Press POPCORN button once. Popcorn automatically sets the cooking time for a 3.5 oz. bag of microwave popcorn.
2. Press START/+30 SEC. to confirm.

NOTE: To change the preset popcorn

time: Press POPCORN button twice. Press number buttons to set minutes and seconds. Press START/+30 SEC. The longest cooking time is 99 minutes and 99 seconds. This new cooking time will be set as the default one until you change it or next power on.

PIZZA

Reheating a slice of pizza (5 oz):

1. Press PIZZA button once.
2. Press START/+30 SEC. to confirm.

Heating a whole frozen pizza (16 oz):

1. Press PIZZA button twice.
2. Press START/+30 SEC. to confirm.

BEVERAGE

For cups (5 to 7 oz/serving):

1. Press BEVERAGE button once.
2. Enter number of cups by pressing number buttons from 1 to 4.
3. Press START/+30 SEC. to confirm.

For cups (9 to 11 oz/serving):

1. Press BEVERAGE button twice.
2. Enter number of cups by pressing

number buttons from 1 to 4.

3. Press START/+30 SEC. to confirm.

DINNER PLATE

For frozen dinner (7~9 oz/serving):

1. Press DINNER PLATE button once.
2. For 1 entree, press number button "1". For 2 entrees, press number button "2".
3. Press START/+30 SEC. to confirm.

For frozen dinner (12~18 oz/serving):

1. Press DINNER PLATE button twice.
2. For 1 entree, press number button "1". For 2 entrees, press number button "2".
3. Press START/+30 SEC. to confirm.

REHEAT

To reheat a plate of leftover (12~18 oz):

1. Press REHEAT button once.
2. Press START/+30 SEC. to confirm.

CLEANING AND CARE

1. Turn off the oven and unplug the power cord from the wall when cleaning.
2. Keep the inside of the oven clean. When food splatters or spilled liquids adhere to oven walls, wipe with a damp cloth. Mild detergents may be used if the oven gets very dirty. Avoid using spray or other harsh cleaners. They may stain, streak or dull the door surface.
3. The outside of the oven should be cleaned with a damp cloth. To prevent damage to the operating parts inside the oven, water should not be allowed to seep into the ventilation openings.
4. Wipe the door and window on both sides, the door seals and adjacent parts frequently with a damp cloth to remove any spills or splatters. Do not use abrasive cleaner.
5. Do not allow the control panel to become wet. Clean with a soft, damp cloth. When cleaning the control panel, leave oven door open to prevent oven from accidentally turning on.
6. If steam accumulates inside or around the outside of the oven door, wipe with a soft cloth. This may occur when the microwave oven is operated under high humidity condition. And it is normal.
7. It is occasionally necessary to remove the glass tray for cleaning. Wash the tray in warm sudsy water or in a dishwasher.
8. The roller ring and oven floor should be cleaned regularly to avoid excessive noise. Simply wipe the bottom surface of the oven with mild detergent. The roller ring may be washed in mild, soapy water or in a dishwasher. When removing the roller ring, be sure to replace it in the proper position.
9. Remove odors from your oven by combining a cup of water with the juice and skin of one lemon in a microwaveable bowl. Microwave for 5 minutes. Wipe thoroughly and dry with a soft cloth.
10. If the light bulb burns out, please contact customer service to have it replaced.
11. The oven should be cleaned regularly and any food deposits should be removed. Failure to maintain the oven in a clean condition could lead to deterioration of surface that could adversely affect the life of the unit and could possibly result in a hazardous situation.
12. Please do not dispose of this appliance into the domestic rubbish bin; it should be disposed to the particular disposal center provided by the municipalities.

Limited Warranty



ABSOCOLD
A DIVISION OF INDOFF, INC.

Absocold, A Division of Indoff, Inc., warrants the following microwave ovens to be free from defective material and workmanship and agrees to remedy any such defect or to furnish a new part (at the Company's option) in exchange for any part of any unit of its manufacture which under normal installation, use and service disclosed such defect, provided the unit is delivered by the owner to use or to our authorized distributor from whom purchased or authorized service station, intact, for our examination with all transportation charges prepaid to our factory. To establish and receive warranty service at our factory or authorized service facilities, a sales receipt or bill of sales is required for proof of purchase.

Written authorization is required before any merchandise is returned to the factory.

This warranty does not extend to any of our electronic products which have been subjected to misuse, neglect, accident, incorrect wiring not our own, improper installation, unauthorized modification, or to use in violation of instructions furnished by us, nor units which have been repaired or altered outside of our factory, nor to cases where the serial number there of has been removed, defaced or changed.

This warranty is in lieu of all warranties expressed or implied and no representative or person is authorized to assume for us any other liability in connection with the sales of our electronic products.

Over the counter exchange for units that are initially defective. Initial defective is described as when the dealer opens the unit and finds that it is inoperative or an individual customer opening a new unit and finding that it is initially defective. This unit may be returned to the factory by the dealer for exchange. Under no circumstances will an individual customer be permitted to return defective unit directly to factory. Exchange must be directly with dealer. When this unit is returned to dealer, a copy of the purchase evidence stating the date of purchase is to be put in the individual box for dealer's further control with the factory.

<u>MODEL</u> _____	<u>PARTS</u>	<u>LABOR</u>	<u>MAGNETRON</u>
Microwave Oven Model:	1 year	1 year	5 year
AM090HBIPA and/or AM090HWIPA			

If there is inadequate or no local service facility, subject individual customer will call Absocold, A Division of Indoff Inc., on the toll free number **1-800-843-3714** to be provided with further information.