

REVERSING THE DOOR SWING

Refer to the disassembly diagram and change the door hinges in the following procedure. The numbers in the diagram (see back page) indicate the procedure order in the instructions.

1. Tilt the refrigerator back or lay it on its back for steps 2, 3, and 4. Use a pad or blanket to protect the floor and to avoid scratching the painted finish.
2. Remove the leveling legs by turning them counterclockwise. Remove the lower hexagonal head screws, two on the hinge side and one near the front corner of the other side.
3. The refrigerator door can now be removed.
4. Remove the middle hexagonal head screws. The freezer door can now be removed.
5. Remove the cover for middle hinge holes and re-attach it symmetrically to the holes on the other side.
6. Unscrew the top hinge assembly from which the freezer door was hung and re-install it in the other hole positioned symmetrically on the other side.
7. Take off the hinge collar caps from both the Freezer and the Refrigerator doors using a screwdriver and insert them in the hinge collars on the opposite sides.
8. Attach the freezer door to the top hinge assembly.
9. Rotate the middle hinge 180°. Attach it to the freezer door and secure it with the screws. (Do not tighten the screws completely.)
10. Attach the refrigerator door to the middle hinge.
11. Attach the bottom hinge to the refrigerator door and secure it with the screws. (Do not tighten the screws completely.)
12. Attach the left side leg and leg spacer to the other side hole which was positioned symmetrically.
13. The direction in which the door opens has now been changed; however, the following points should be checked:
 - a. Make sure the door is on straight.
 - b. Make sure that there is no space between the door gasket and the refrigerator unit itself when the door is closed.
 - c. Make sure that the gasket on the hinge side is not caught between the door and the unit when the door is opened or closed. (If the door is forced closed when the gasket is caught, the gasket may be damaged.)

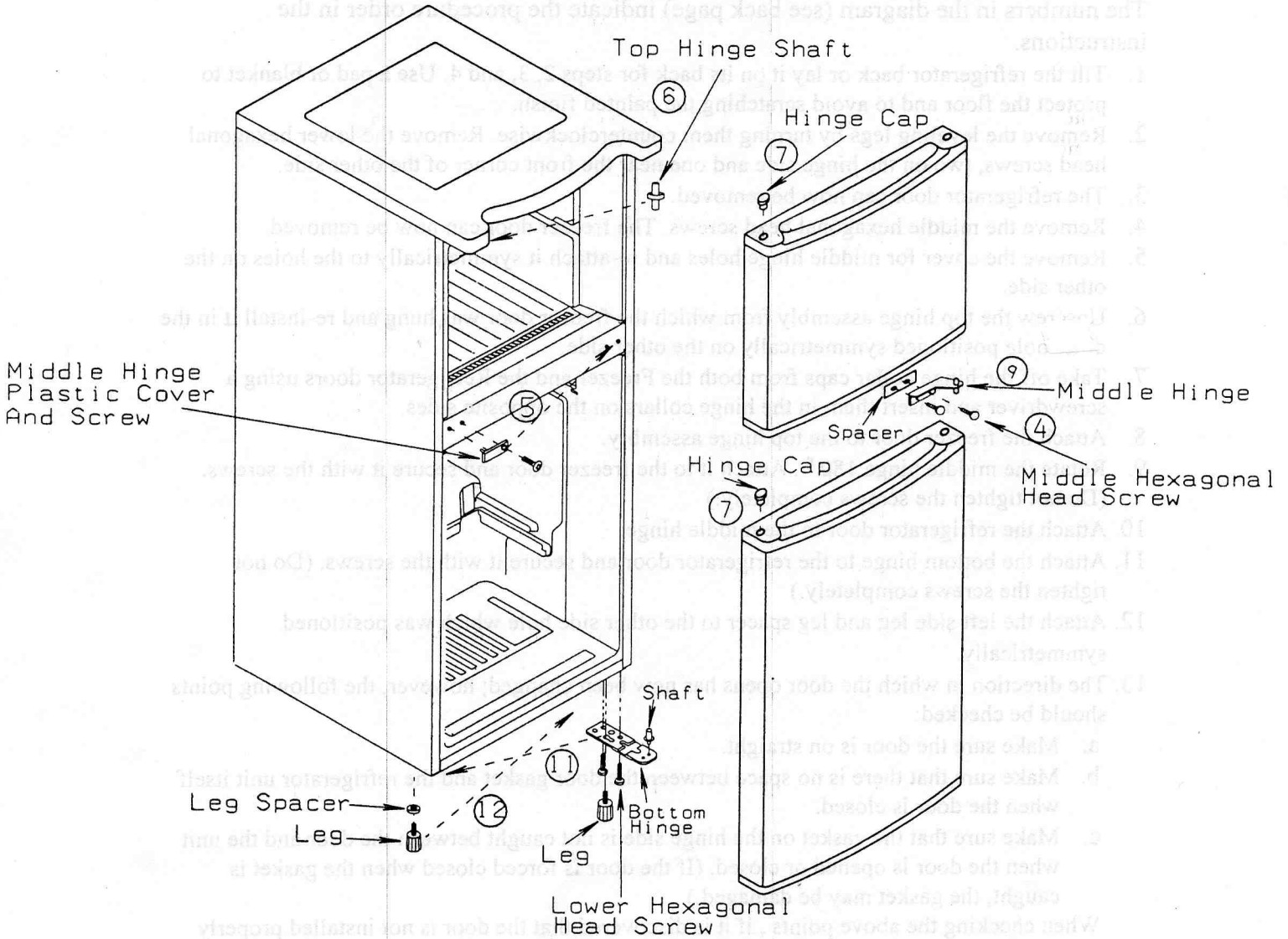
When checking the above points, if it is discovered that the door is not installed properly (this is apt to happen at the first try), loosen the screws holding the hinges, straighten the door and tighten the screws slowly with the socket wrench. After making sure that the door is installed correctly, tighten all the screws holding the hinge.

If they are not tightened, the door may slip out of position or there may be an opening between the door and the unit.

14. Stand the unit back in the upright position.

Part No. 8336411914500

REVERSING THE DOOR SWING



Part No. 8336411914500