

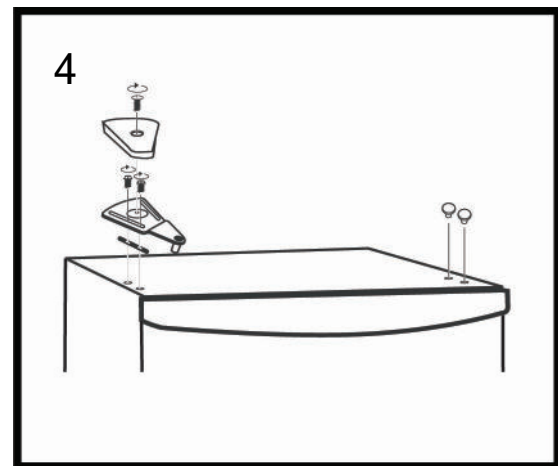
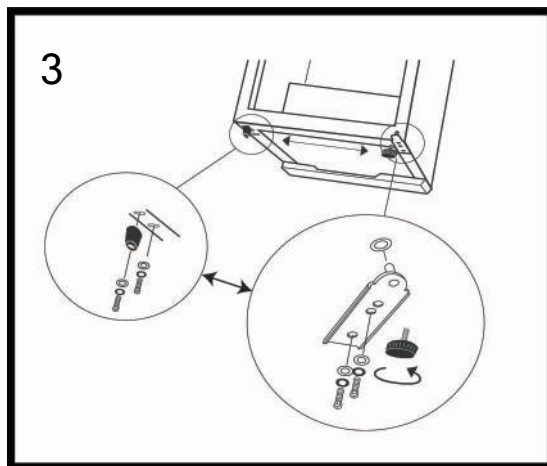
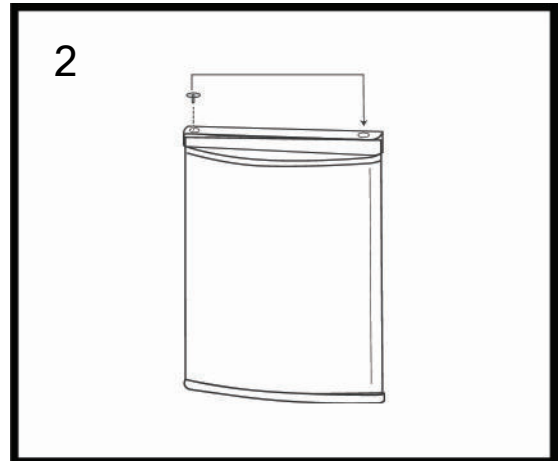
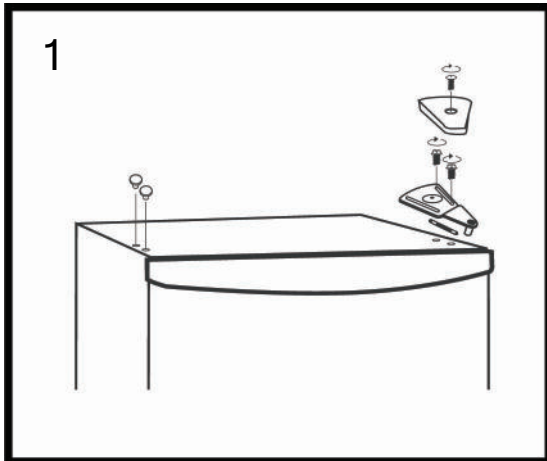
DOOR REVERSAL GUIDE

ALL REFRIGERATOR MODELS: ARD101AB21R/L ARD161AB21R/L
ARD161ABS21R/L

DOOR REVERSAL INSTRUCTIONS

If the appliance needs to be turned on its back or side for any part of the process, make sure to keep the appliance upright for 6 hours before plugging it into an electrical outlet.

Follow these instructions to change the direction of the door swing:



For parts or service information, call Absocold: (800) 843-3714 or (765) 935-7501